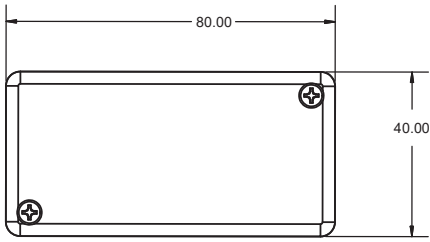


- ▶ Connects any footswitch to a computer USB port
- ▶ Includes required mating phone plug for the foot switch
- ▶ Programmable to simulate up to four simultaneous keyboard or mouse functions
- ▶ No software required
- ▶ Standard USB footswitches are restricted to 3M of cable, the USB dongle allows for increased operating distance
- ▶ Can be used for medical/dental imaging, transcription, video/sound editing, gaming and any other application where repeated keystrokes are required
- ▶ USB 2.0 Protocol

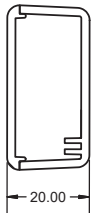
## Specifications

Standards/approvals	Low voltage directive 2014/35/EU, EN 60950
Operating system	Windows, Mac & Linux
Connection method	3m USB cable (max) and 0.25m of 2 core cable for customer connection
Electrical rating	Power: 5V 25mA
Degree of protection	EN 60529 IPX2
Operating temperature	0°C to + 60°C
Body material	ABS
Dimensions	80 x 40 x 20mm
Weight	75g

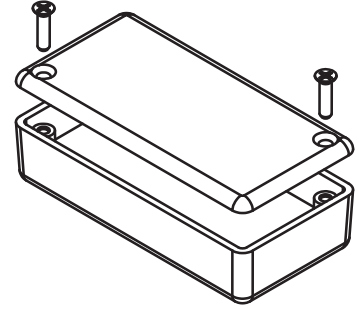
Dimensions



TOP VIEW



SECTIONAL VIEW



## Setting the function

Key	SW2	SW3
A	3	2
B	6	1
C	5	3
D	3	4
E	1	4
F	3	5
G	4	5
H	4	6
I	1	7
J	3	6
K	3	7
L	3	8
M	5	6
N	6	2
O	1	8
P	2	3
Q	1	2
R	1	5
S	3	3
T	2	5
U	1	6
V	5	4
W	1	3
X	5	2
Y	2	6
Z	5	1

Key	SW2	SW3
1 (!)	8	2
2 (")	8	3
3 (#)	8	4
4 (\$)	8	5
5 (%)	7	5
6 (^)	7	6
7 (&)	8	6
8 (*)	8	7
9 (())	7	1
0 ())	6	8

Key	SW2	SW3
ESC	4	2
°^	4	1
TAB	2	2
Caps Lock	9,4	7
Win	4	4
Space	9,4	1
/?	9,6	2
[{	9,2	4
]}	2	7
::;	9,3	4
~ #	9,1	3
.>	5	8
,<	5	7
_ -	9,3	8
= +	9,4	6
\	7	2
Back space	9,2	2
' @	9,4	3
Enter	9,5	2

Key	SW2	SW3
F1	7	3
F2	7	4
F3	2	4
F4	4	8
F5	8	1
F6	4	7
F7	2	8
F8	7	8
F9	9,7	2
F10	9,8	2
F11	9,4	2
F12	9,6	1
F13	9,6	3
F14	9,6	4
F15	9,6	5
F16	9,7	3
F17	9,7	4
F18	9,7	5
F19	9,8	3
F20	9,8	4

Key	SW2	SW3
Print Scrn	9,8	1
Scroll	9,1	4
Pause	9,4	5
Insert	9,2	8
Home	9,1	8
Page Up	9,3	6
Delete	9,7	1
End	9,2	7
Page Down	9,3	7

Key	SW2	SW3
Num Lock	9,5	1
Num 1	9,3	1
Num 2	9,2	3
Num 3	9,3	5
Num 4	9,2	1
Num 5	9,1	5
Num 6	9,2	6
Num 7	9,1	6
Num 8	9,1	6
Num 9	9,3	3
Num 0	9,3	2
Num .	9,2	5
Num +	9,1	7
Num -	9,5	8
Num *	9,5	7
Num /	9,5	6
Num Enter	9,5	3

Key	SW2	SW3
↑	6	5
↓	6	7
→	6	4
←	6	3

Mouse	SW2	SW3
Left click	2	1
Right click	3	1
Middle click	4	3

Key	SW2	SW3
CTRL	10	
ALT		10
SHIFT		9